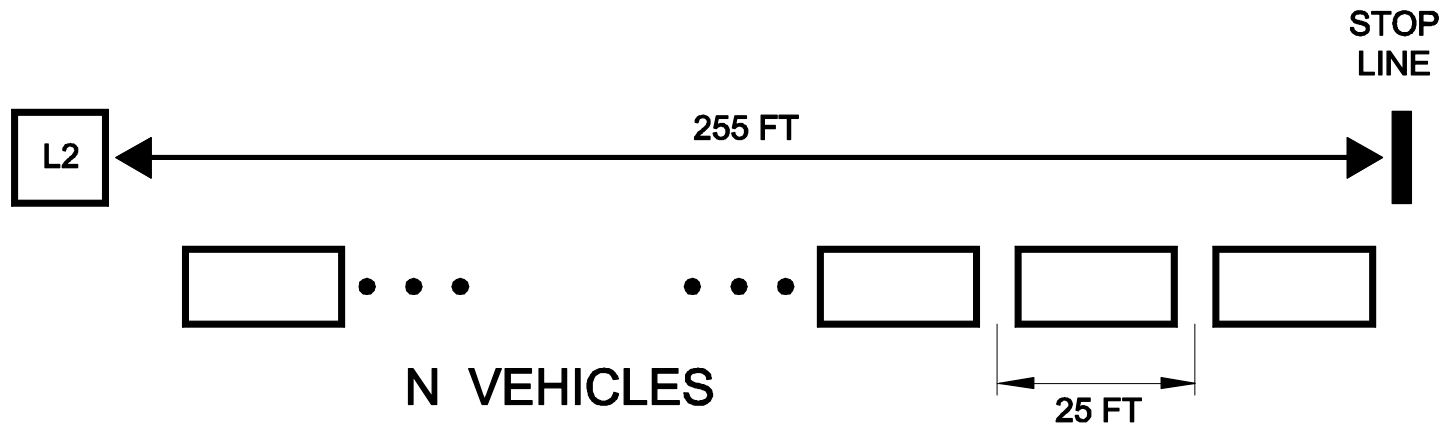


FIGURE 3



$$N = \frac{255 \text{ FT}}{25 \text{ FT/VEH}} \approx 10 \text{ VEHICLES}$$

$$I = 10 \text{ VEHICLES} \times 2.2 \text{ SEC/VEHICLE} = \boxed{22 \text{ SEC}}$$