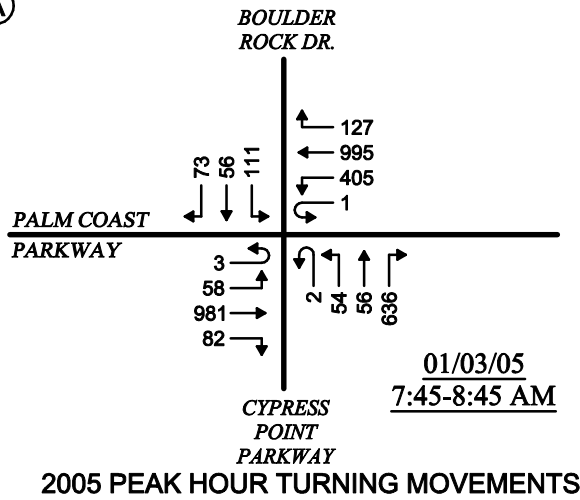
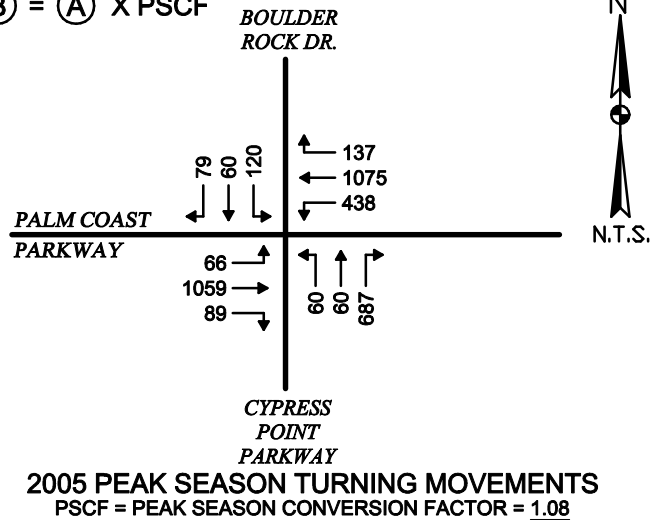


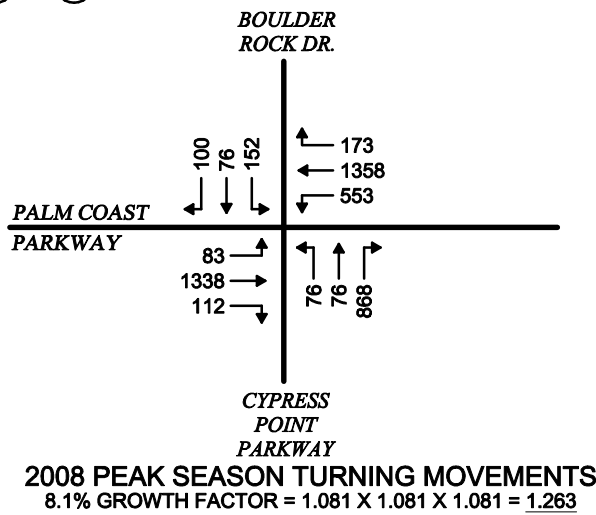
(A)



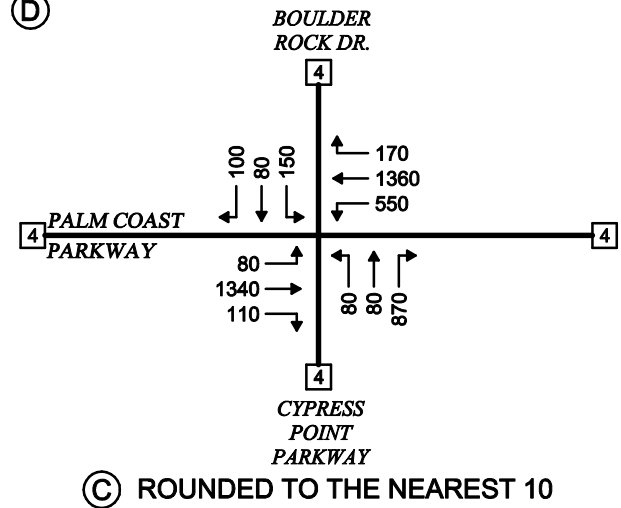
(B) = (A) X PSCF



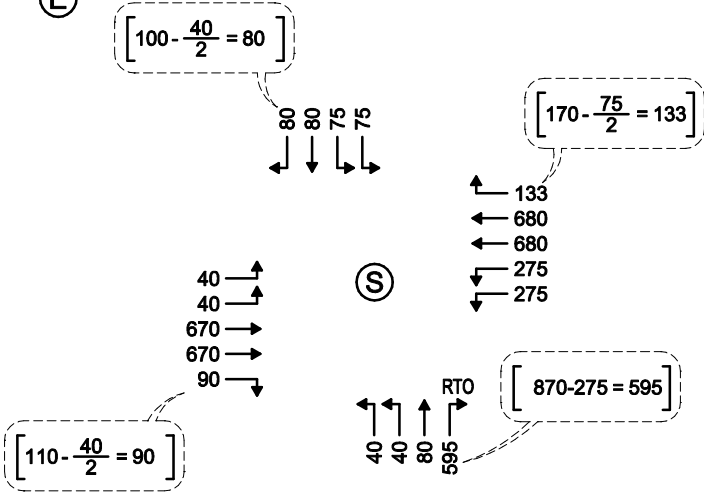
(C) = (B) X GROWTH FACTOR



(D)



(E)



LEGEND:

[X] = NUMBER OF BI-DIRECTIONAL THRU LANES

FIGURE 4

PALM COAST PARKWAY / BOULDER ROCK DRIVE / CYPRESS POINT PARKWAY AM PEAK HOUR

Y:\MISC\JEFF\UNIF\CAD\FIG\_4.DWG Date: 09-11-06 T: 09:50 Bv:AVD